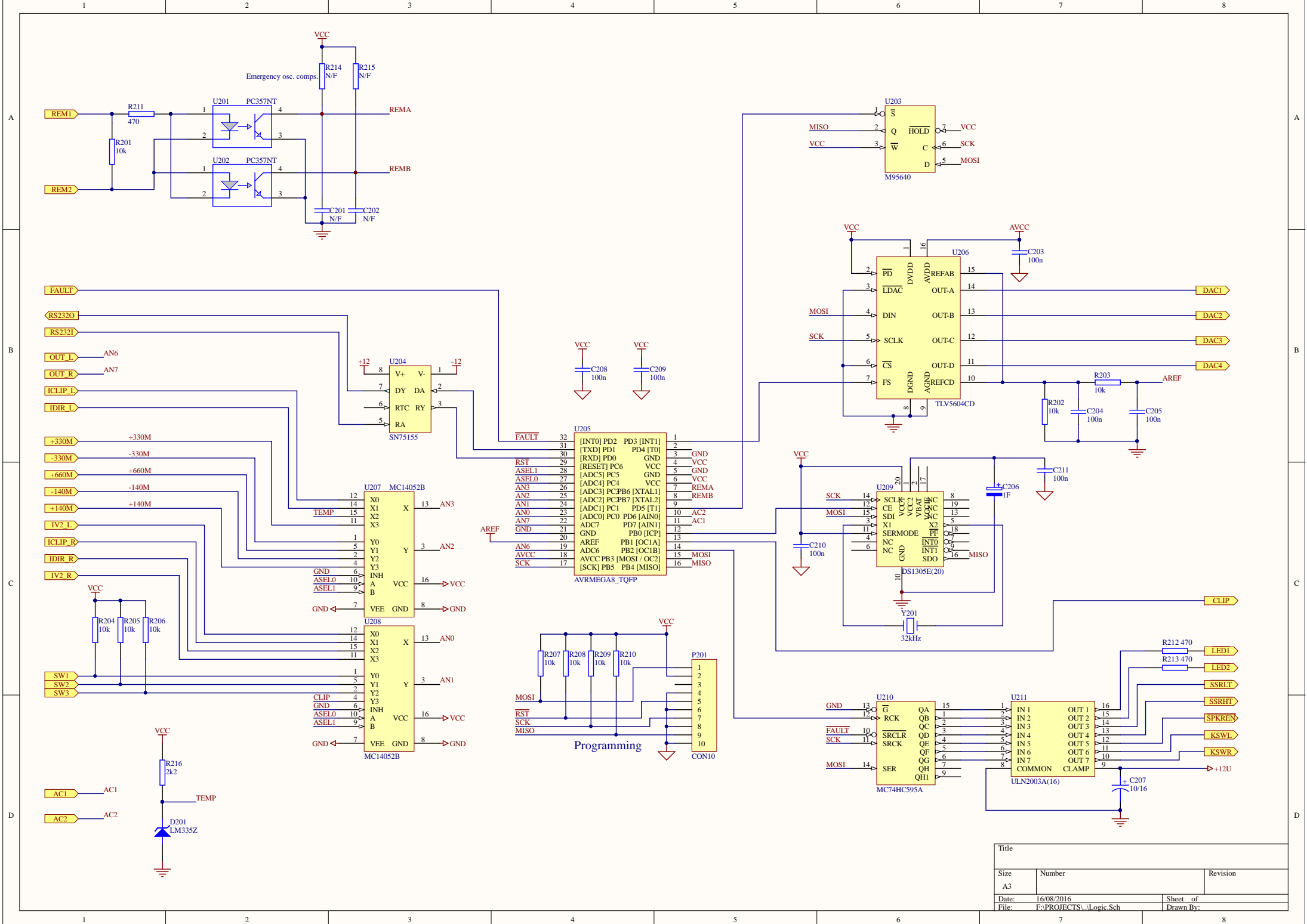
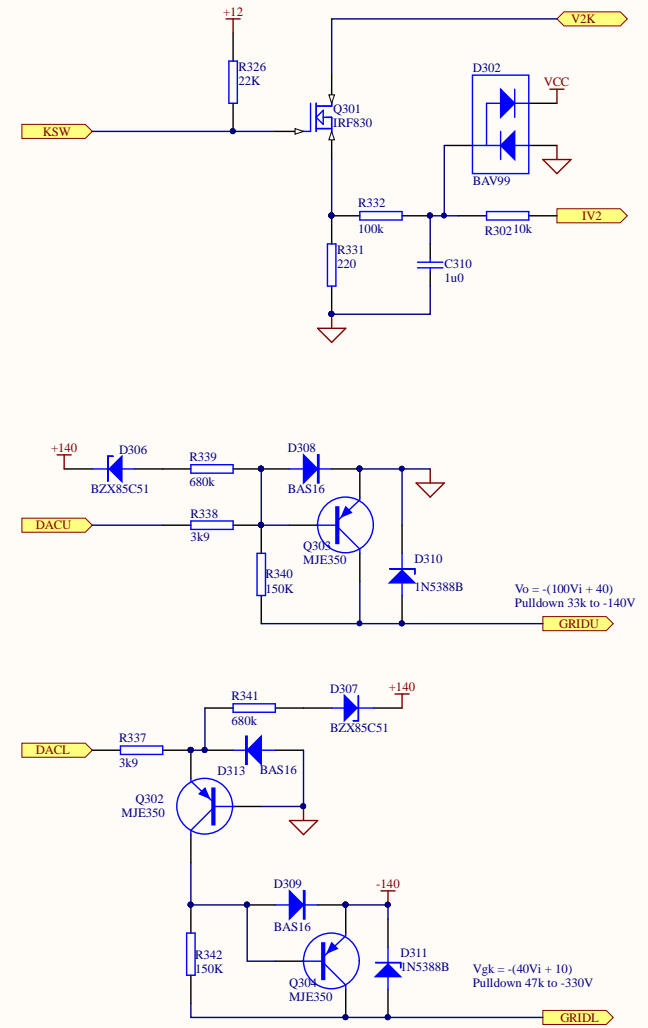
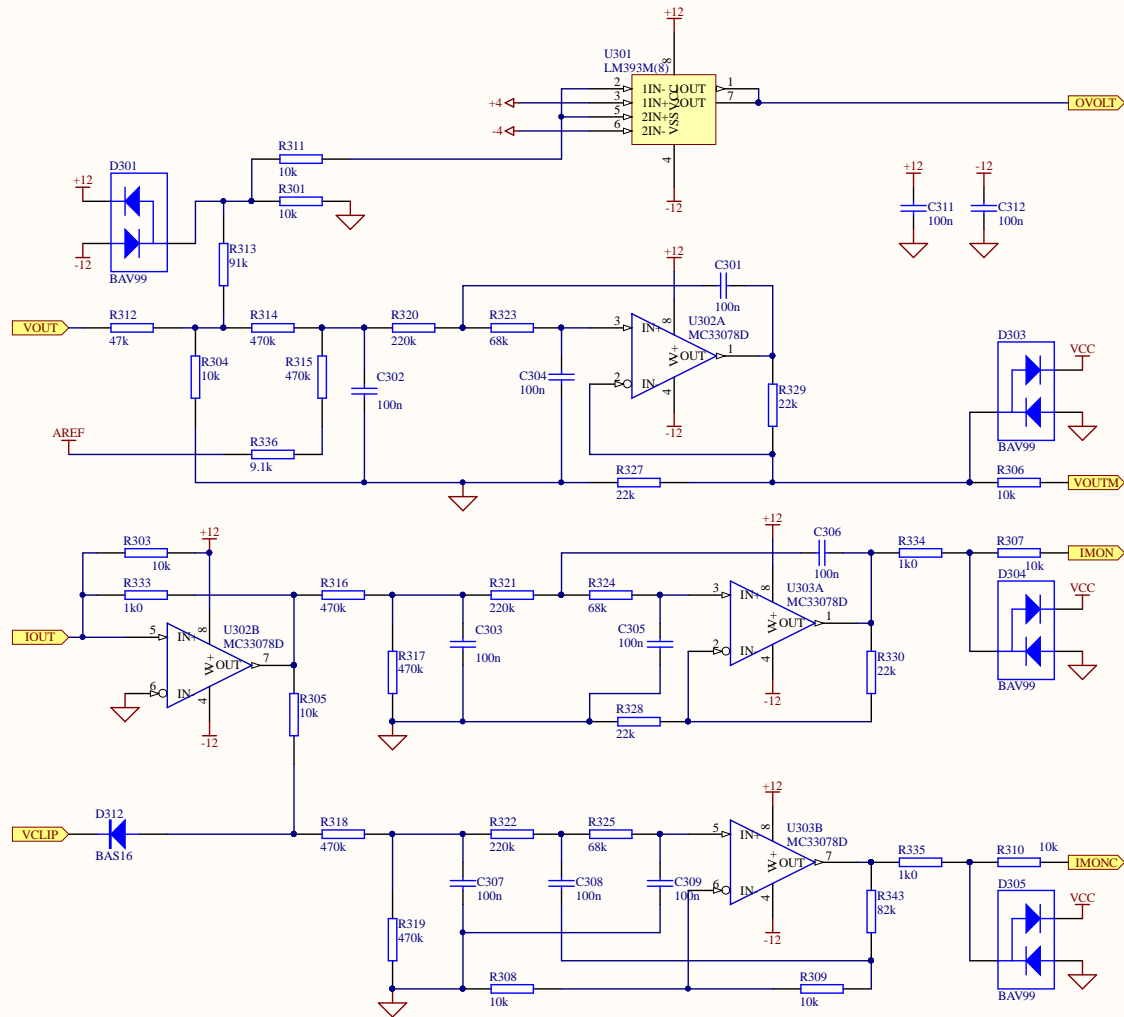


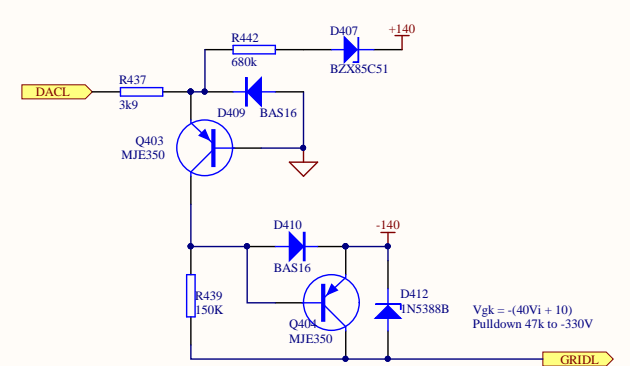
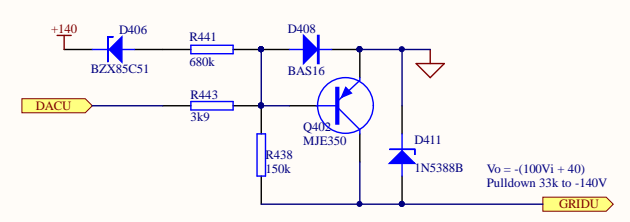
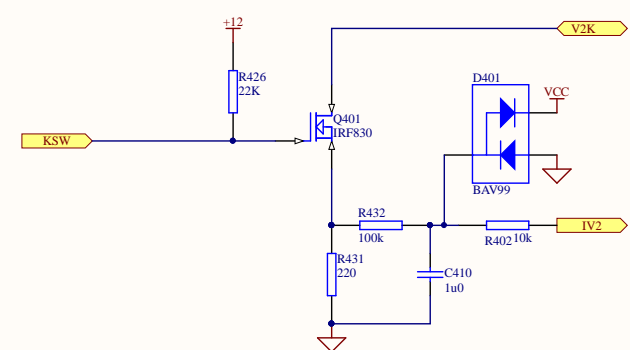
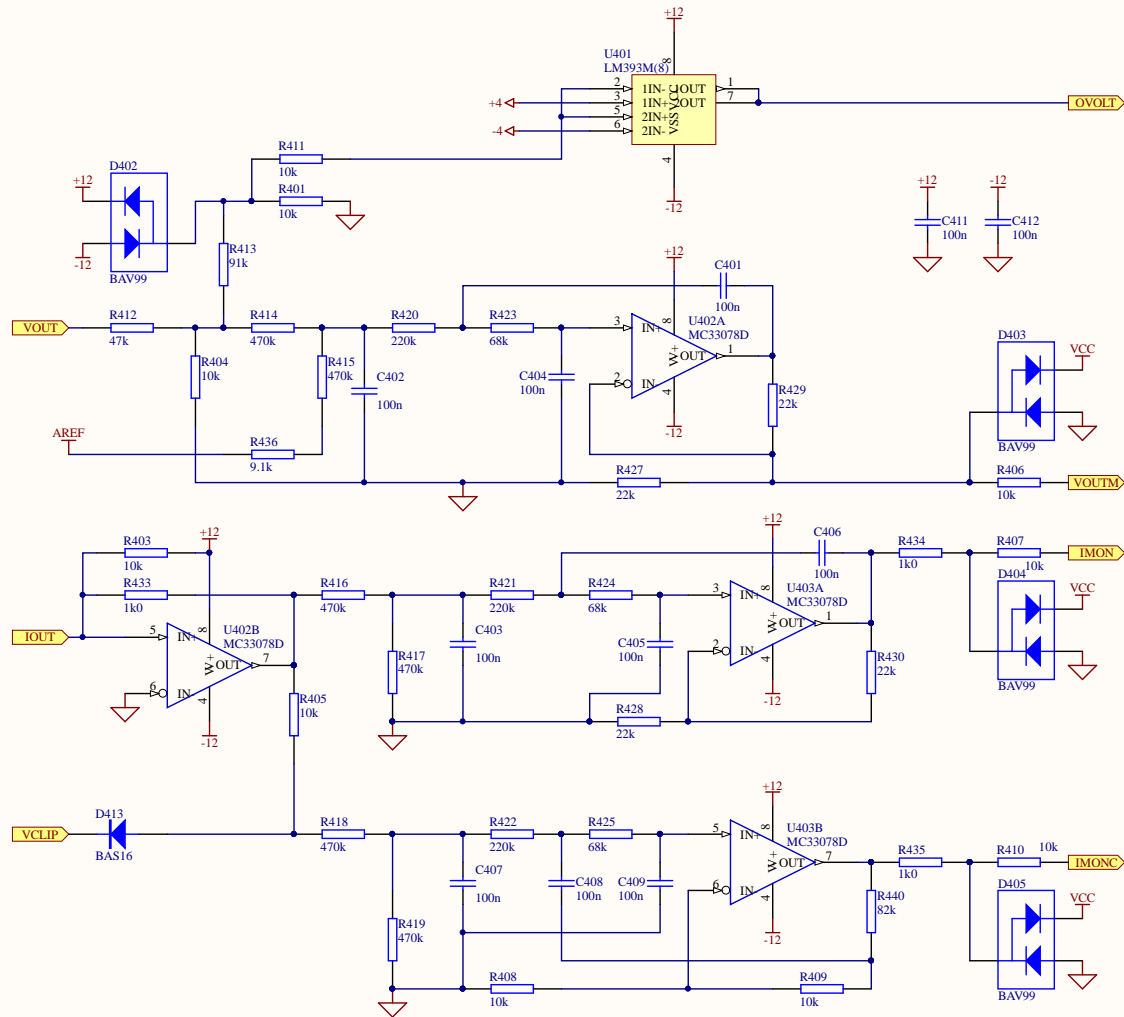
| | | |
|-------|-----------------------------|-----------|
| Title | | |
| Size | Number | Revision |
| A4 | | |
| Date: | 16/08/2016 | Sheet of |
| File: | F:\PROJECTS\...\Control.Sch | Drawn By: |



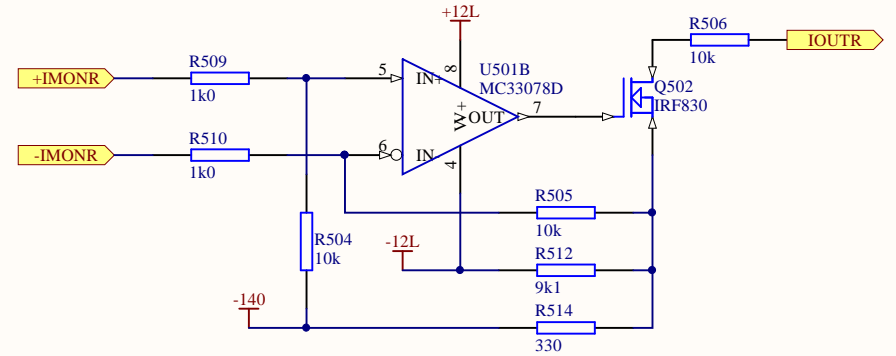
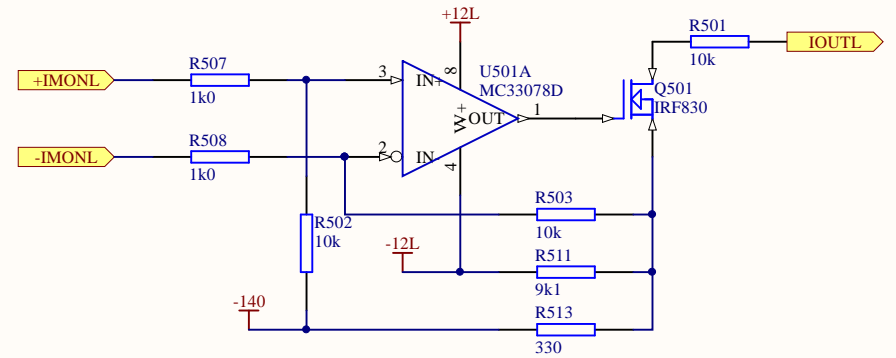
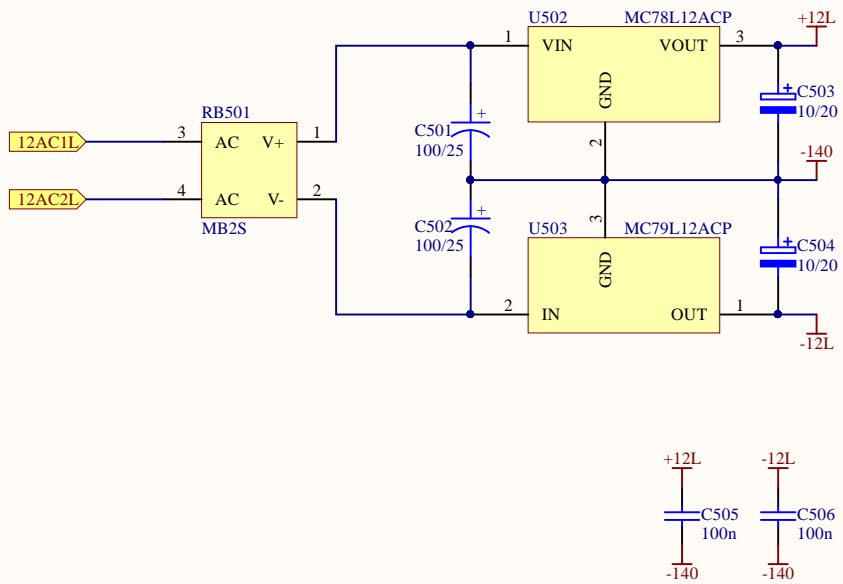
| Title | | |
|-------|-----------------------|-----------|
| Size | Number | Revision |
| A3 | | |
| Date: | 16/08/2016 | Sheet of |
| File: | F:\PROJECTS\Logic.Sch | Drawn By: |



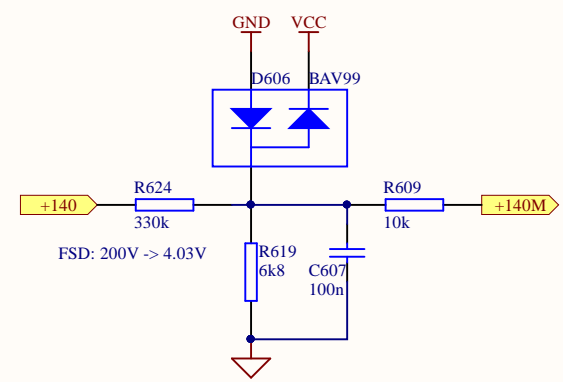
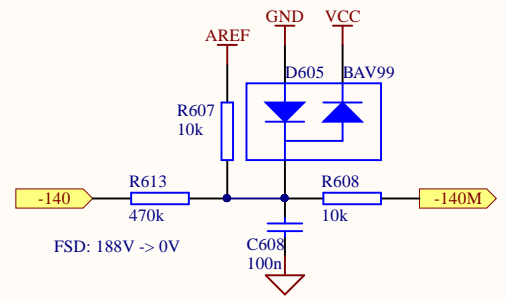
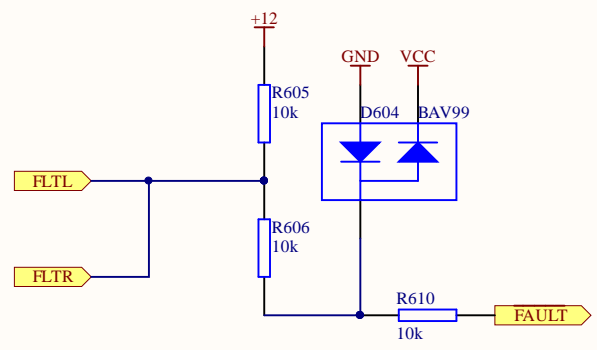
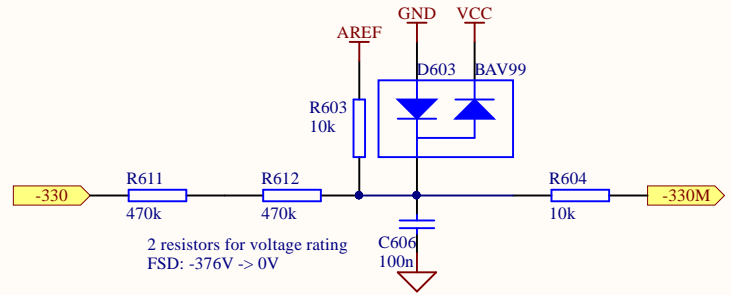
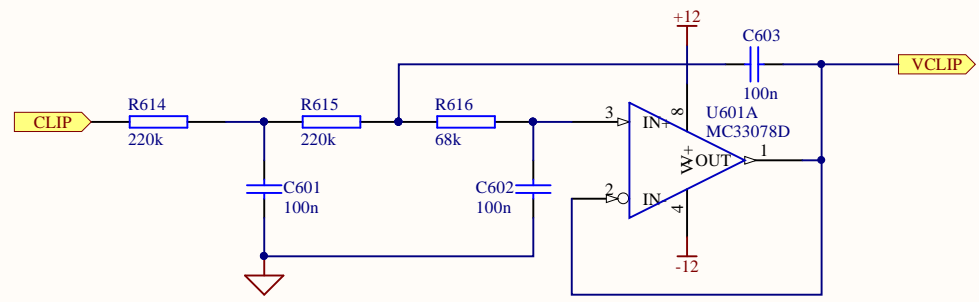
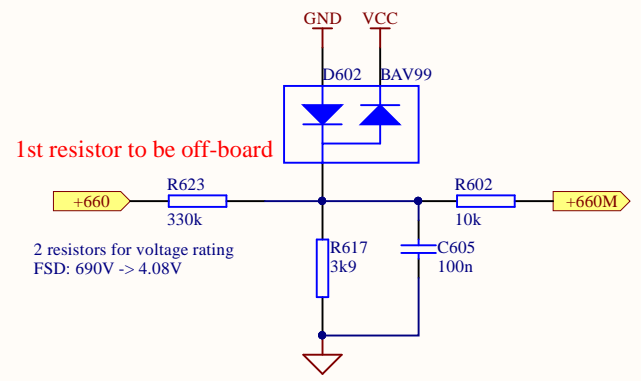
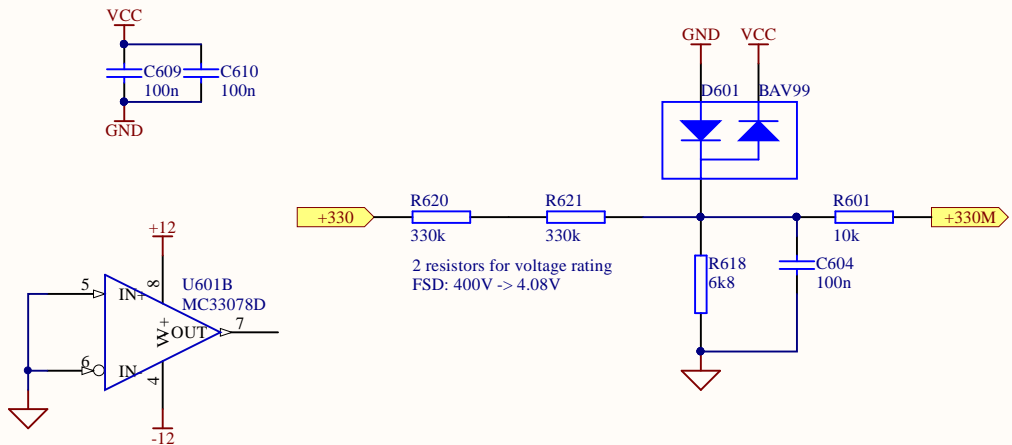
| Title | | |
|-------|------------------------|-----------|
| Size | Number | Revision |
| A3 | | |
| Date: | 16/08/2016 | Sheet of |
| File: | F:\PROJECTS\Chan L.Sch | Drawn By: |



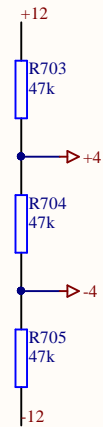
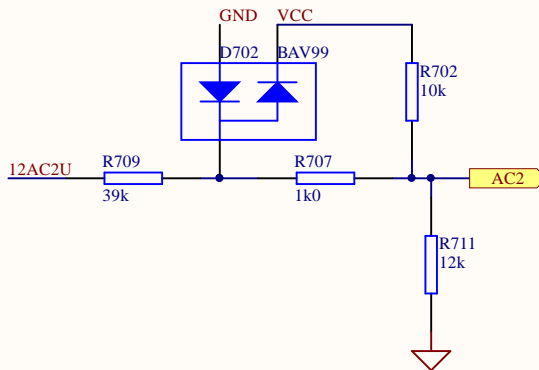
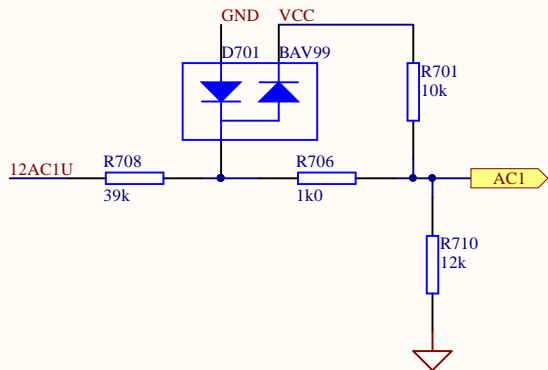
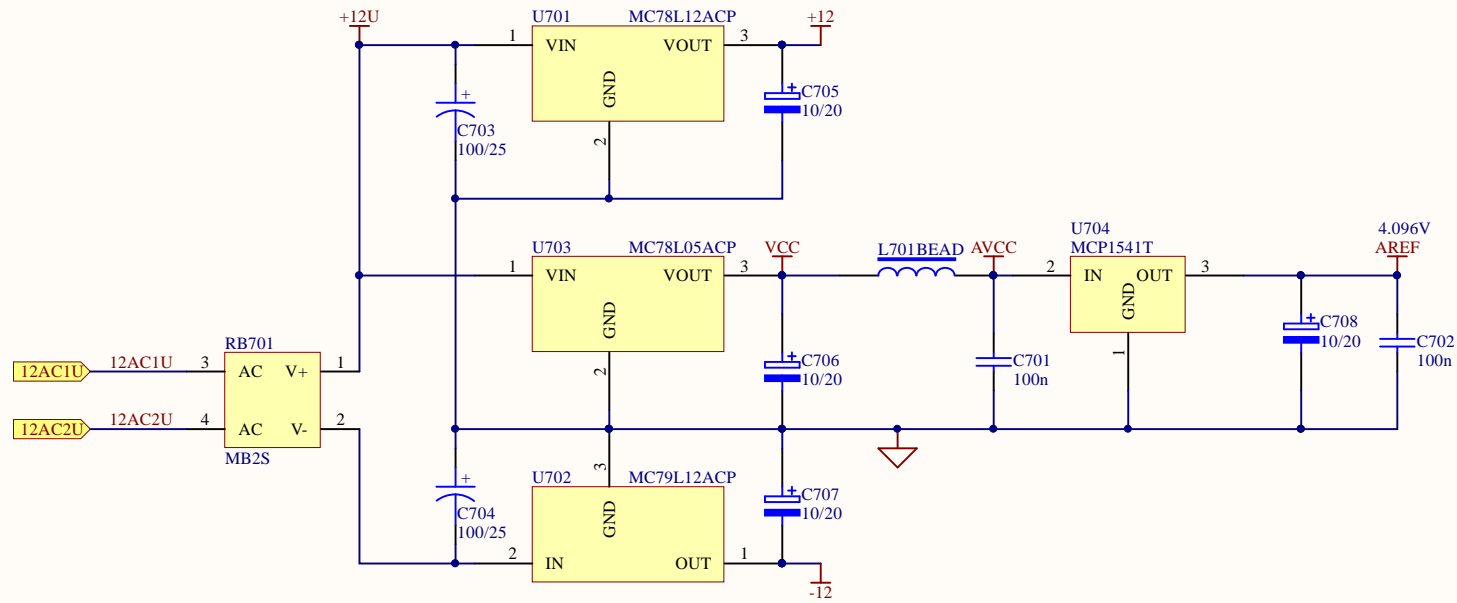
| Title | | |
|-------|------------------------|-----------|
| Size | Number | Revision |
| A3 | | |
| Date: | 16/08/2016 | Sheet of |
| File: | F:\PROJECTS\Chan_R.Sch | Drawn By: |



| | | |
|-------|------------------------------|-----------|
| Title | | |
| Size | Number | Revision |
| A4 | | |
| Date: | 16/08/2016 | Sheet of |
| File: | F:\PROJECTS\...\Negative.Sch | Drawn By: |



| | | |
|---------------------------------------|-----------|----------|
| Title | | |
| Size A4 | Number | Revision |
| Date: 16/08/2016 | Sheet of | |
| File: F:\PROJECTS\...\Analogue.Sch | Drawn By: | |



| | | |
|---------------------------------|-----------|----------|
| Title | | |
| Size A4 | Number | Revision |
| Date: 16/08/2016 | Sheet of | |
| File: F:\PROJECTS\...\Power.Sch | Drawn By: | |

Clearance 0.5mm/100V

IGOR-III Control PCB
U1.0 Copr. (C) 2006

