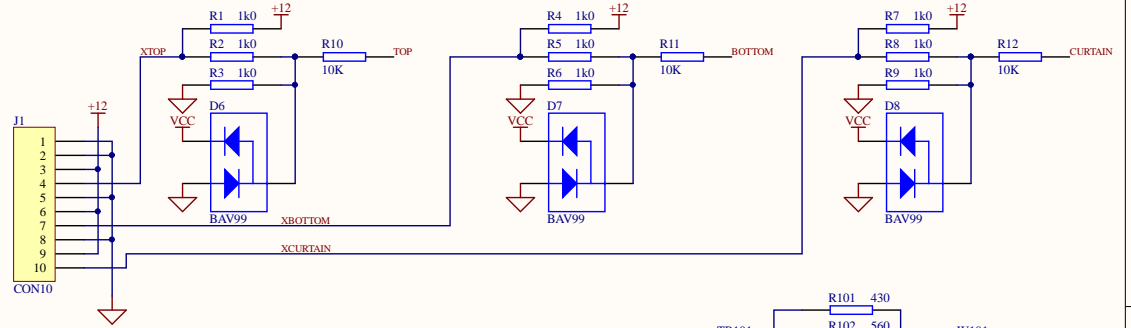
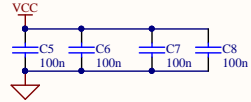
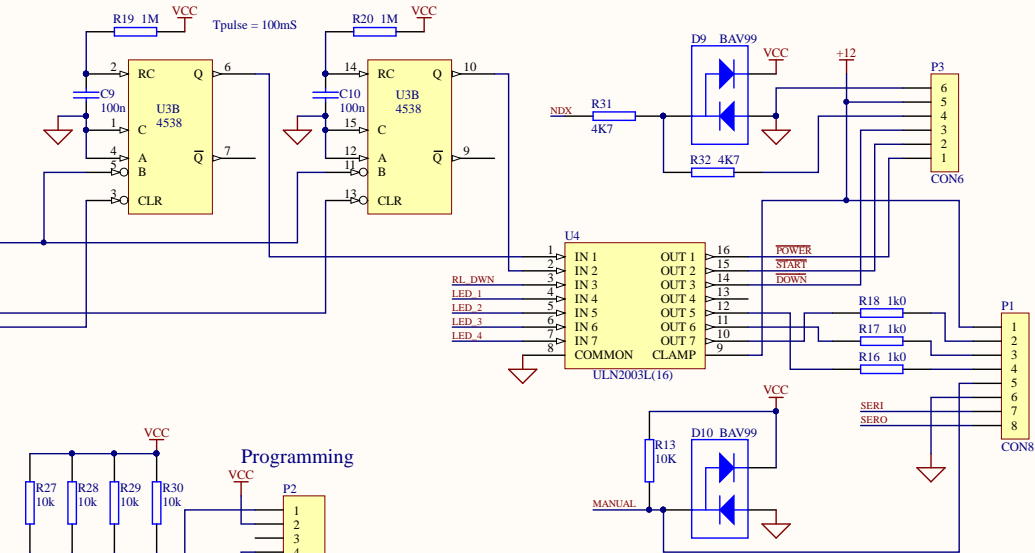
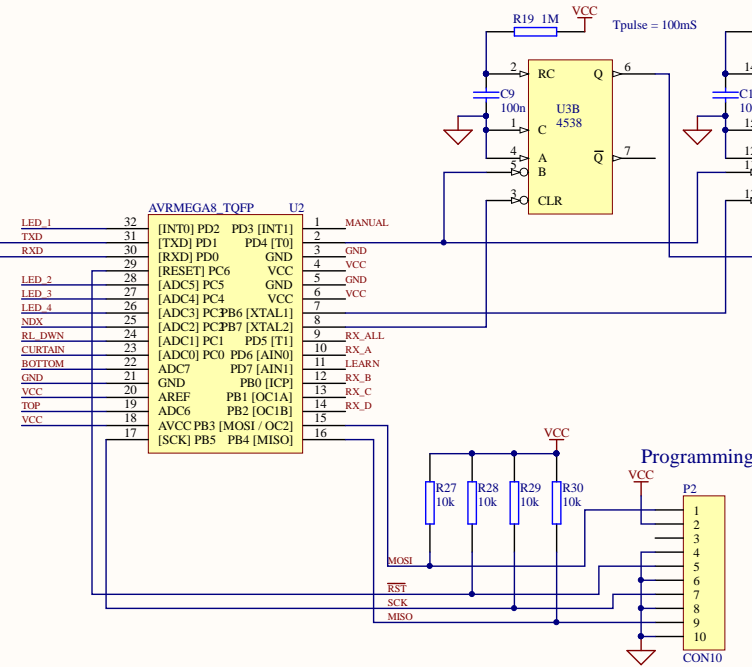
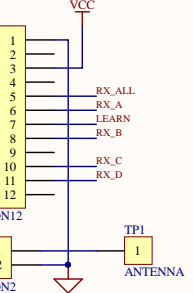
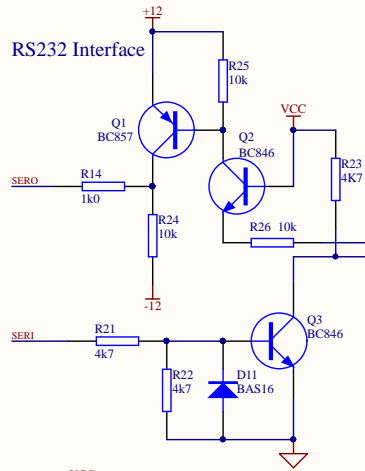
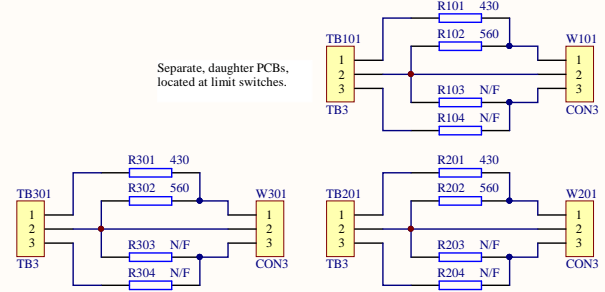


Power-supply options:

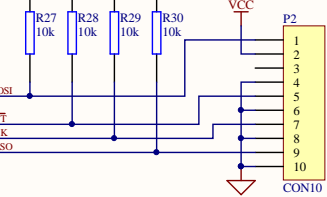
1. AC supply (12-0-12V), on-board rectifier:
Short out C10 site
Fit D1, D2, D3, D4
Supply at JP1/1 (AC1), JP1/2-3 (GND), JP1/4 (AC2)
 2. DC supply (12-18V), external rectifier:
Fit C10, D1, D4, D8
Supply at JP1/1 (+ve), JP1/2-3 (-ve, GND), JP4 (AC line)
- Always fit C1, C3



Separate, daughter PCBs,
located at limit switches.



Programming



Title		
Size	Number	Revision
A3		
Date:	16/08/2016	Sheet of
File:	F:\PROJECTS\logic.Sch	Drawn By:

